

30W Constant Voltage Slim-US Series



Features

- Class II, SELV, independent
- Input Voltage 220-240VAC
- Protections: SCP/OLP/OVP/OTP
- Power Factor >0.95
- Efficiency ≥83%
- 2 slots
- 5 years warranty

Applications

- LED strips
- kitchen light

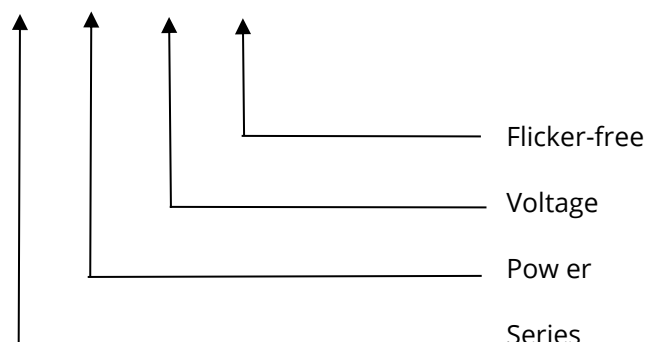


Description

US-30-XX LI1 is a 30W constant voltage LED driver that operates from 198-264Vac input with 12V or 24V output voltage. With its slim dimensions from 261 x 30x 17mm it is easy to integrate in LED strips, kitchen light products. To ensure trouble-free operation, protection is provided against output short circuit, over Load and over temperature.

Model code

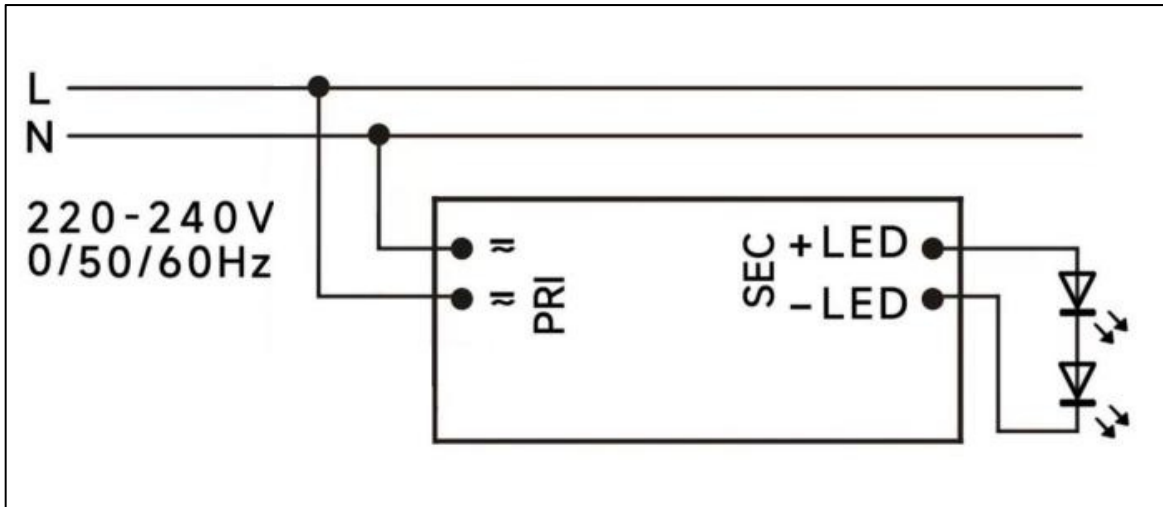
US-30-XX LI1



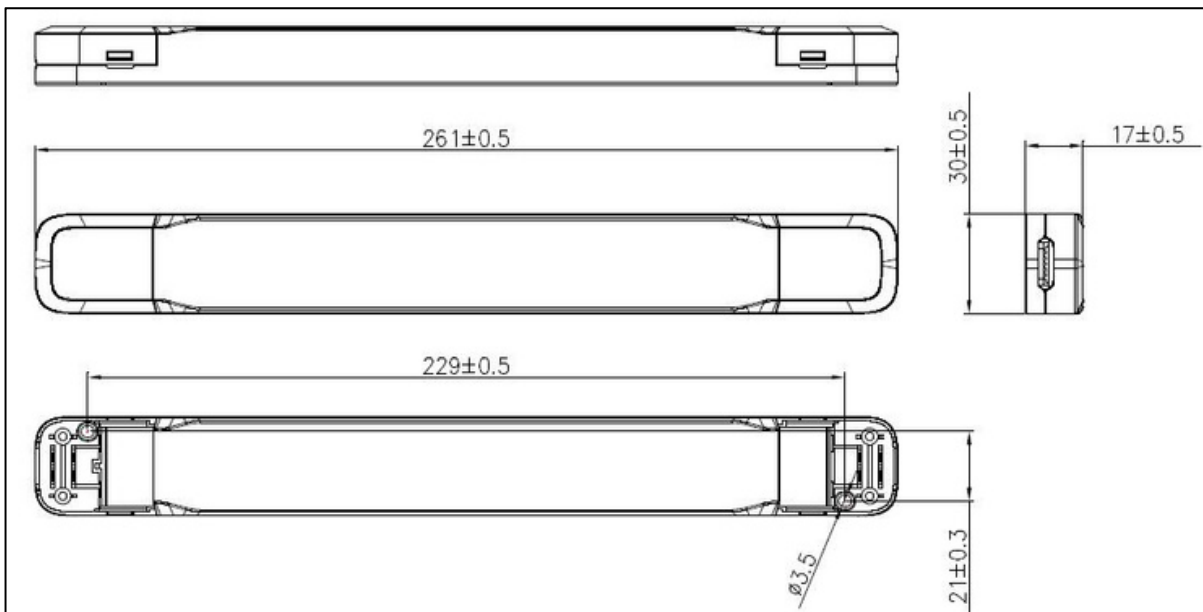
Specification

Output	Constant Voltage	12VDC	24VDC
	Current Range	0-2.5A	0-1.25A
	Voltage Accuracy	±5%	
	Output HF current ripple(≥1KHz)	±1%	
	Output LF current ripple(≤120Hz)	±1%	
	SVM	≤0.4	
	Pst	≤1	
	Efficiency(Typ.)	≥83%	≥85%
Input	Rated input voltage	220-240VAC	
	Range of input voltage	198- 264 VAC	
	Rated input voltage(DC)	176-250VDC	
	Frequency(Hz)	0/50/60 Hz	
	Power Factor	≥0.95	
	Input Current max	0.24A	
	Start-up time	<0.5S	
	No Load Power	≤0.5W	
	THD (Typ.)	<12%Typ.@Fullload,240VAC	<8%Typ.@Fullload,220VAC
Protection	Over Load Protection	105-150%	
		YES/Auto Resume	
	Over Voltage Protection	>12.6VDC	>25.2VDC
		YES/Auto Resume	
	Short circuit Protection	YES/AutoResume	
Environment	Over Temperature Protection	YES/AutoResume	
	Operating Temperature	-20°C~+45°C	
	Humidity	20%-90%RH	
	Tc 90°C	90°C	
	StorageTemperature	-40°C~+60°C	
Surface	Lifetime	>50000h@Tc=85°C,230VAC	
	Dimension	261X30X17(LXWXH)mm	
standards	EN61347-1; EN61347-2-13;EN62384; EN55015;EN61000-3-2 ;EN61000-3-3; EN61547;		
Others	ErP	EU2019/2020	
	RoHS	RoHS(2011/65/EU)(EU)2015/863	
Note	1.All parameters NOT specially mentioned are measured at 230VAC input , full load and 25°C of ambient temperature. Ripple & Noise are measured at 20MHz of bandwidth by using a 300mm twisted pair-wire terminated with a 0.1uF & 47 uF parallel capacitor.		

Wiring diagram

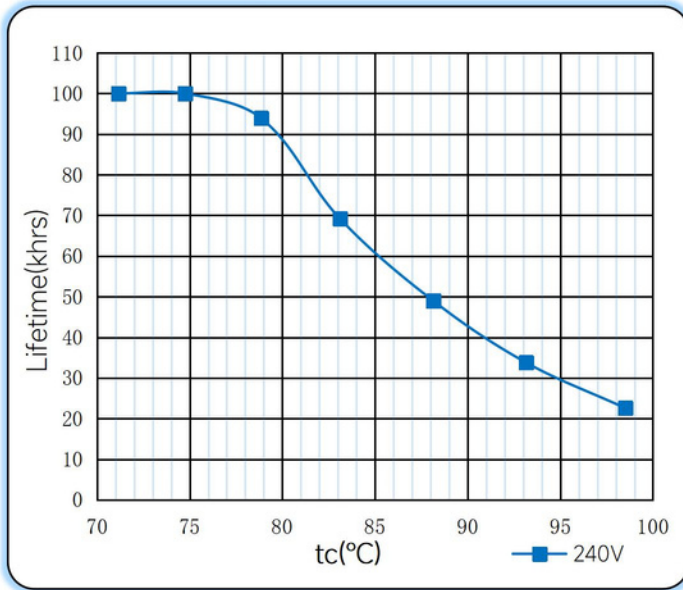


2D diagram

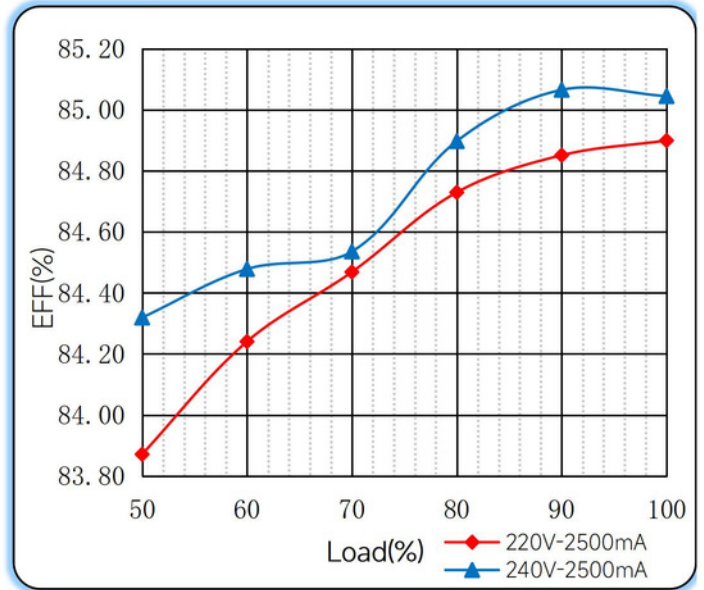


Curve for US-30-12 LI1

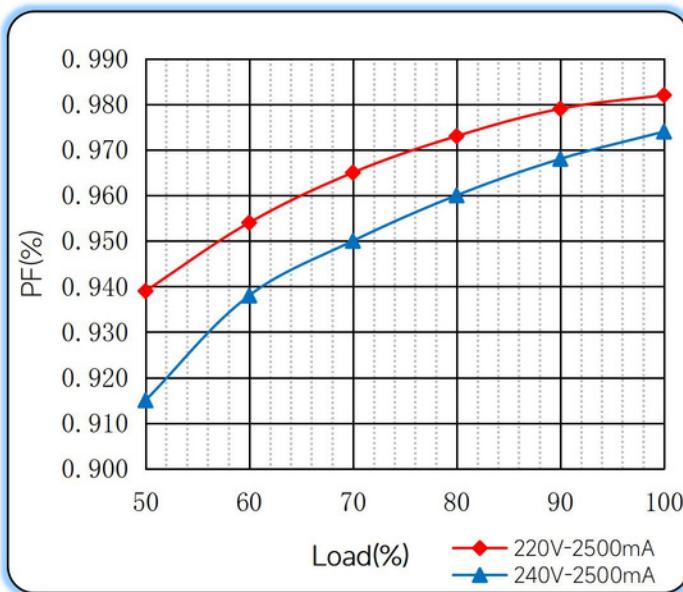
Lifetime vs. Temperature Curve



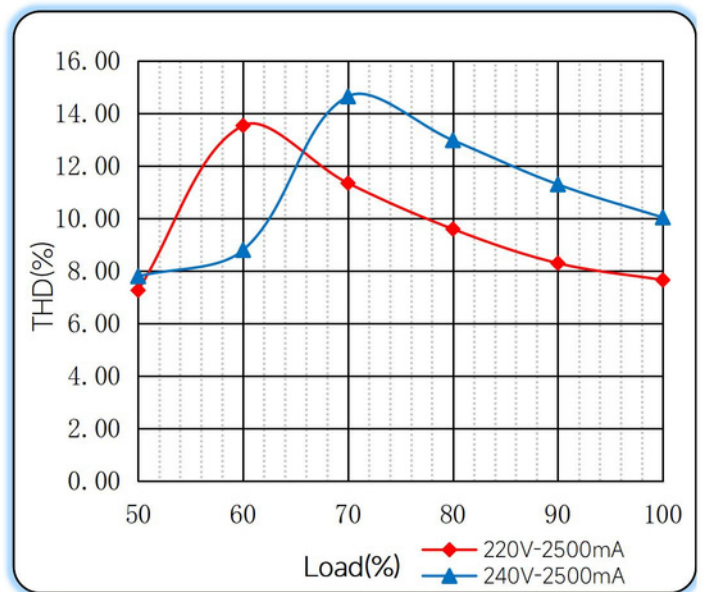
Efficiency vs. Load



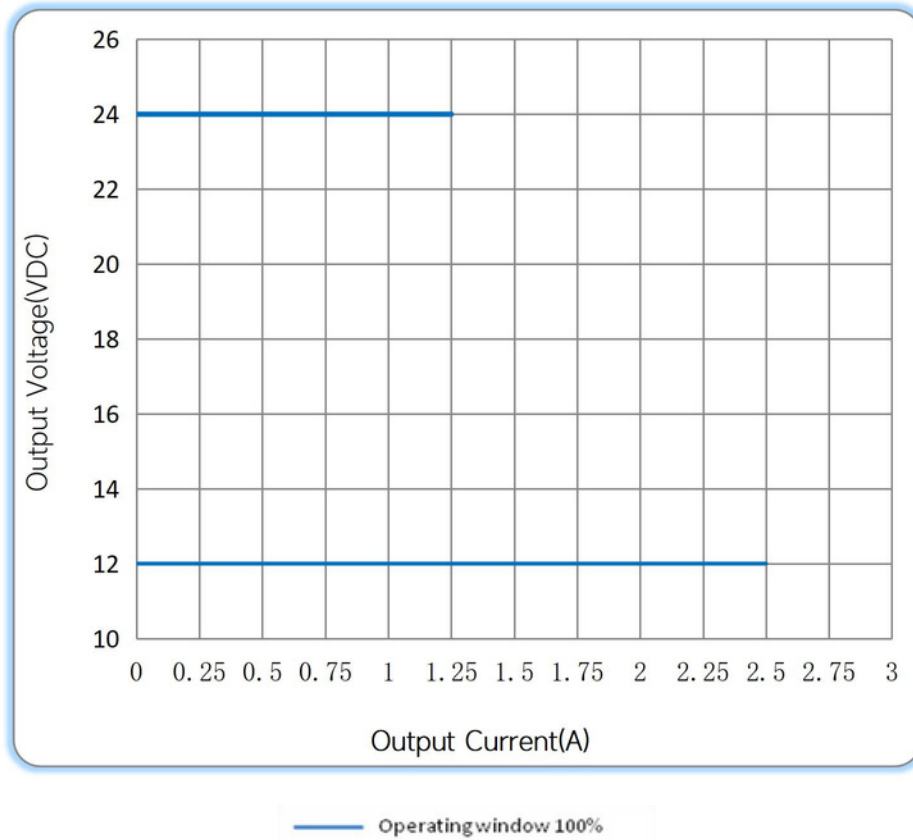
Power Factor Characteristics



THD vs. Load



Operating window



Revision Updates

ITEM	BEFORE	AFTER	VERSION	DATE
Initial			A	2022/05/15